

ELKAY® SPECIFICATIONS

Elkay Specialty Collection™ Drop-In Sinks Model SCF1515 Series

GENERAL

High quality single bowl sink is seamlessly formed of #18 gauge brass, copper, or type 304 (18-8) nickel bearing stainless steel material. Specialty Collection brass or copper sinks are made from genuine solid, uncoated material and will naturally tarnish. Self-rimming.

- SCF1515BH** brass with hammered mirror finish
- SCF1515BM** brass with mirror finish
- SCF1515BS** brass with satin finish
- SCF1515CH** copper with hammered mirror finish
- SCF1515CM** copper with mirror finish
- SCF1515CS** copper with satin finish
- SCF1515SH** stainless steel with hammered mirror finish
- SCF1515SM** stainless steel with mirror finish
- SCF1515SR** stainless steel with a rugged satin finish

DESIGN FEATURES

Bowl Depth: 6-1/2".

Coved Corners: 3" vertical and 2" horizontal radii.

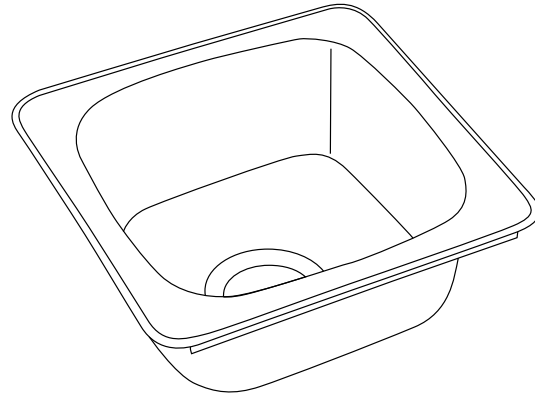
Underside: Sound deadening pads on sides.

Fastening Method: Brass or copper sinks come complete with "J" channel type with the appropriate number of screws and clamps to provide a secure installation. Stainless steel sinks come complete with "U" channel type with the appropriate number of screws and clamps to provide a secure installation.

OTHER

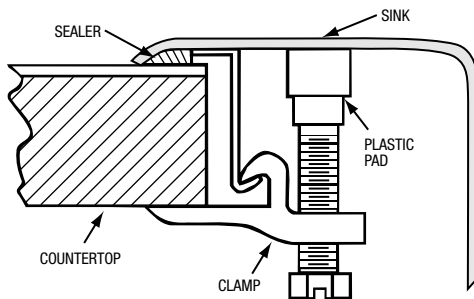
Drain Opening: 3-1/2".

Brass and copper sink models furnished complete with matching drain and basket strainer.

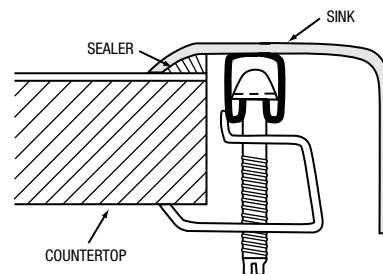


Model SCF1515

**"J" Channel Type Installation Profile
for Copper and Brass Sinks**



**"U" Channel Type Installation Profile
for Stainless Steel Sinks**



SEE OTHER SIDE FOR PRODUCT DIMENSIONS.

ALL DIMENSIONS IN INCHES, TO CONVERT TO MILLIMETERS MULTIPLY BY 25.4.

In keeping with our policy of continuing product improvement, Elkay reserves the right to change product specifications without notice.

This specification describes an Elkay product with design, quality and functional benefits to the user. When making a comparison of other producers' offerings, be certain these features are not overlooked.

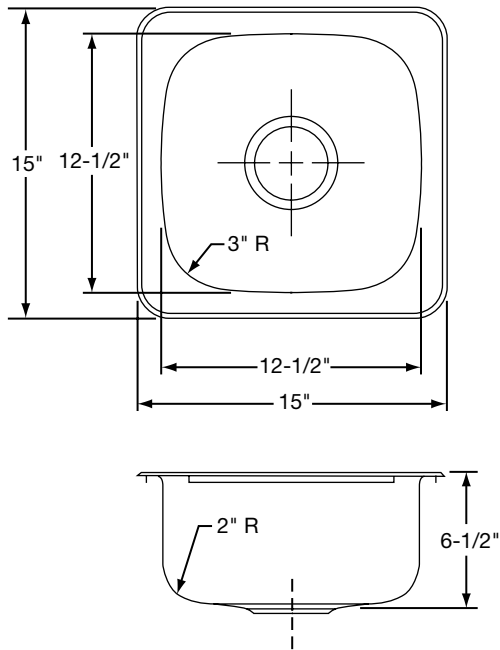
Elkay Specialty Collection™ Drop-In Sinks
Model SCF1515 Series

ELKAY®
SPECIFICATIONS

SINK DIMENSIONS (INCHES)*

Model Number	Overall		Inside Bowl			Cutout in Countertop (1½" Radius Corners)		Minimum Cabinet Size	Ship. Wt. Lbs.
	L	W	L	W	D	L	W		
SCF1515BH	15	15	12½	12½	6½	14¾	14¾	18	10
SCF1515BM	15	15	12½	12½	6½	14¾	14¾	18	10
SCF1515BS	15	15	12½	12½	6½	14¾	14¾	18	10
SCF1515CH	15	15	12½	12½	6½	14¾	14¾	18	10
SCF1515CM	15	15	12½	12½	6½	14¾	14¾	18	10
SCF1515CS	15	15	12½	12½	6½	14¾	14¾	18	10
SCF1515SH	15	15	12½	12½	6½	14¾	14¾	18	9
SCF1515SM	15	15	12½	12½	6½	14¾	14¾	18	9
SCF1515SR	15	15	12½	12½	6½	14¾	14¾	18	9

*Length is left to right. Width is front to back.



Model SCF1515